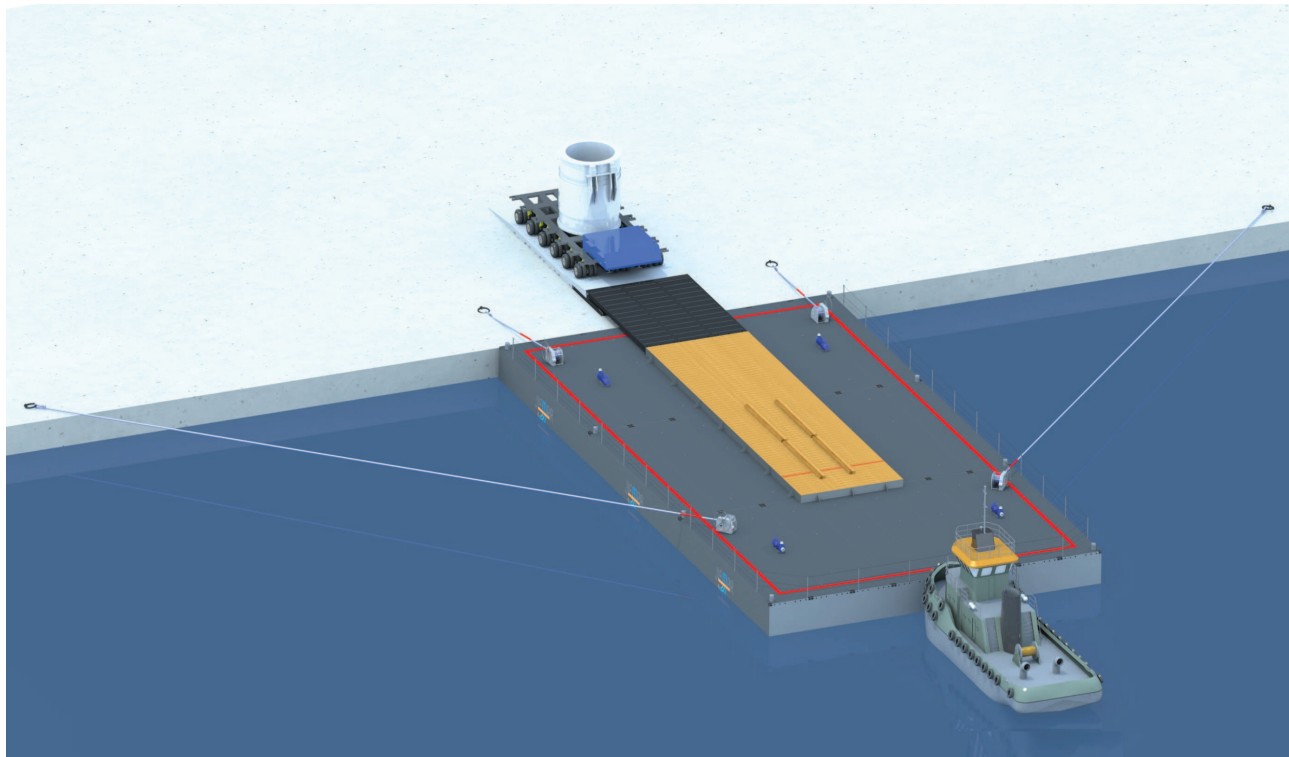


JIFB 700

HEAVY CARGO TRANSPORTATION MODULAR BARGE

JIFB 700 is an heavy cargo transportation modular barge, offering a 169 tons Ro-Ro (Rool-On / Roll-Off) loading capability or a uniform distributed deck cargo of 700 tons.

The barge can be assembled in-situ for inland operations, and is Classified with Bureau Veritas



JIFMAR OFFSHORE SERVICES
120 Avenue Napoléon Bonaparte
13100 AIX-EN-PROVENCE
FRANCE
Tél. : + 33 4 86 82 03 60
Fax : + 33 4 12 94 08 29
www.jifmar.com

°No part of this leaflet
may be reproduced in
any form without written
permission from Jifmar
Offshore Services. This
leaflet may be updated
without advance notice.



JIFB 700

HEAVY CARGO TRANSPORTATION MODULAR BARGE

GENERAL

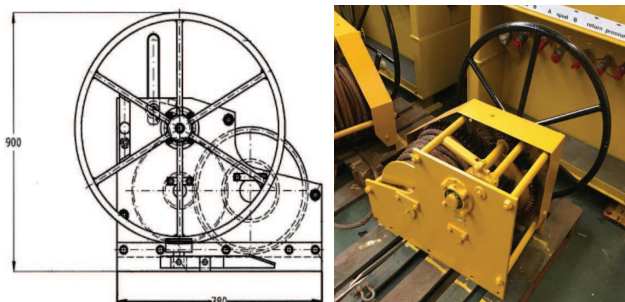
BUILDING YEAR	2016
CLASS	CERTIFIED BY BUREAU VERITAS
NAVIGATION	INLAND AND SHELTERED AREA
FLAG/PORT OF REGISTRY	FRANCE (RIF)/MARSEILLE
LOADING CALCULATION	TRIM AND BALLASTING MANAGEMENT SOFTWARE
BALLAST CAPACITY	≈500 M ³

DIMENSIONS

LENGTH	36.60 M - 120'
WIDTH	19.5M - 64'
HEIGHT	2,44 M - 8'
DRAUGHT	0,44 M
LIGHTSHIP	320.4 TONS

WINCHES

CAPACITY	25 TONS
WIRE CAP DRUM	35 M Ø 22 MM
AVAILABILITY	4



RAMP AND HINGES

MATERIAL	S 355 STEEL
LENGHT	8 M
WIDTH	2 M
DECK CAPACITY	6 T/M ²
FASTENING SYSTEM	HINGES WELDED ON THE DECK
TOTAL LOAD CAPACITY	169 TONS
AVAILABILITY	3

DECKING PLATING

MATERIAL	LIGHT WOOD
DIMENSIONS	20 M x 6 M
THICKNESS	38 CM
WEIGHT	5.5 TONS
MAXIMUM PUNCTUAL PRESSURE	2 MPA (20 BAR)
MAXIMUM DISTRIBUTED DECK LOAD	6.5T/M ²

TRANSPORTATION

EASY TO MOBILIZE ISO HANDLING EYES
ISO 40' CONTAINER FOR SHIPPING WORLDWIDE
ROAD TRANSPORTABLE



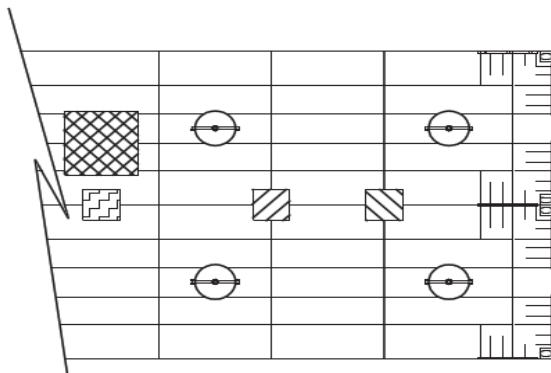
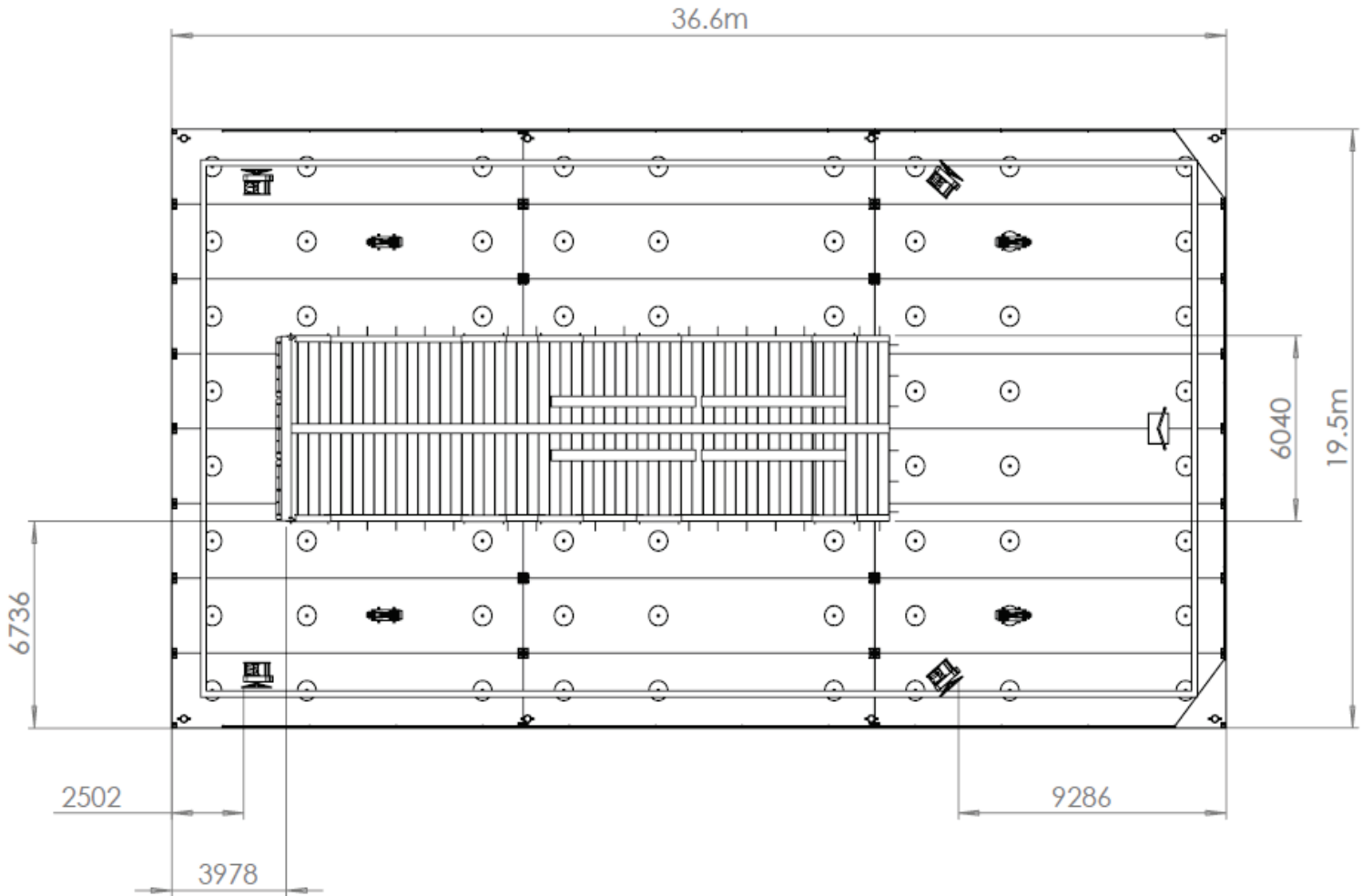
JIFMAR OFFSHORE SERVICES
120 Avenue Napoléon Bonaparte
13100 AIX-EN-PROVENCE
FRANCE
Tél. : + 33 4 86 82 03 60
Fax : + 33 4 12 94 08 29
www.jifmar.com

©No part of this leaflet may be reproduced in any form without written permission from Jifmar Offshore Services. This leaflet may be updated without advance notice.



JIFB 700

HEAVY CARGO TRANSPORTATION
MODULAR BARGE



LEGENDE :

